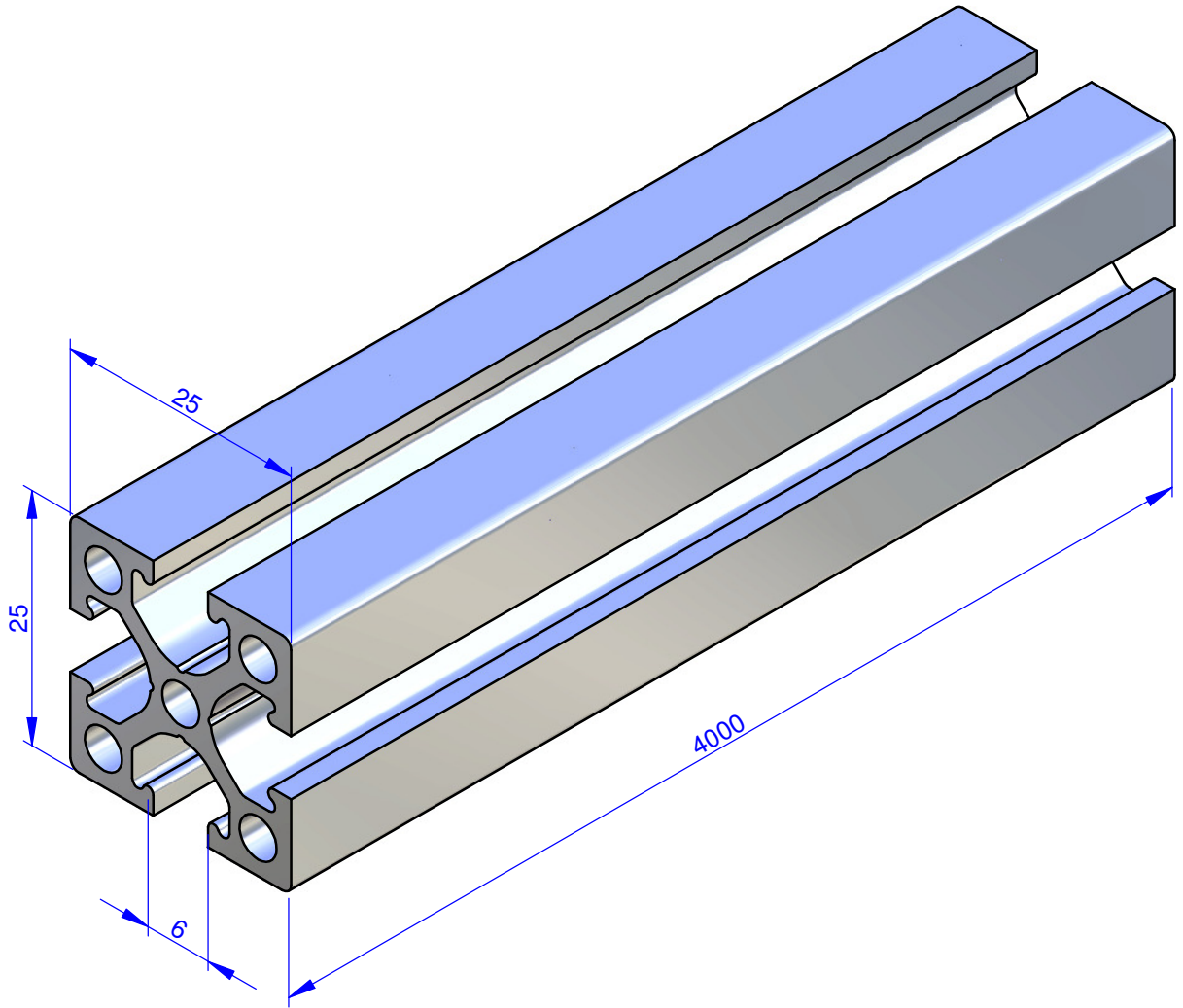


THE PROPERTY OF THIS DRAWING IS ESTABLISHED BY LAW
IT IS FORBIDDEN TO REPRODUCE IT OR SHOW IT TO THIRD PARTY
WITHOUT A WRITTEN AGREEMENT.



MODIFICATIONS: VARIED DIMENSIONS AS OF DATE:

7.	10.
8.	11.
9.	12.

MODIFICATIONS: VARIED DIMENSIONS AS OF DATE:

1.	4.
2.	5.
3.	6.

Format **A4**
UNI 936-76

FP Services GENERAL TOLERANCE: UNI - ISO 2768 CLASSE f	DESCRIPTION		DESIGNED FROM	FPSERVICES	
			DATE	12/2013	WEIGHT
			CODE	CA.X.2525.4000	

